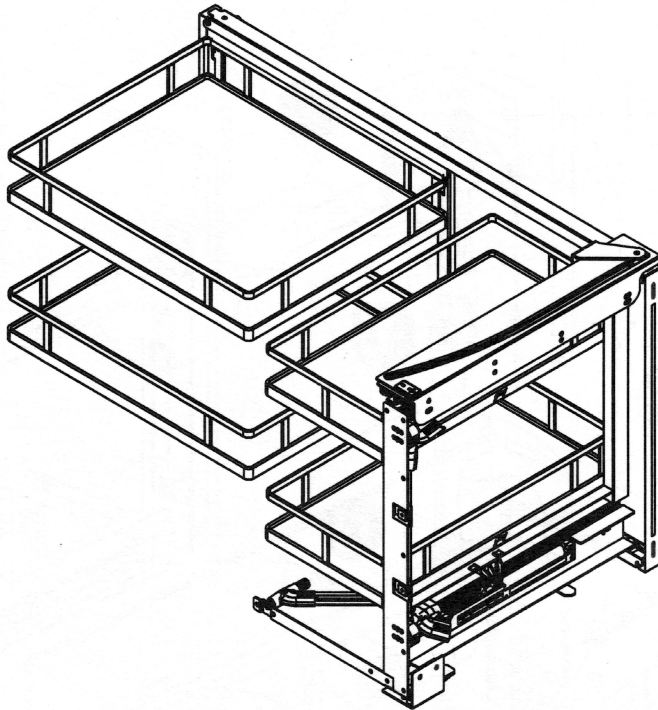


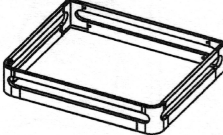
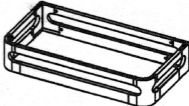
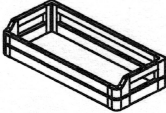
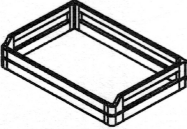
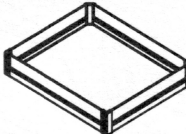
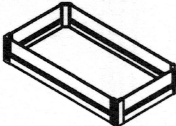


# Magic corner insrtuction(Right side)

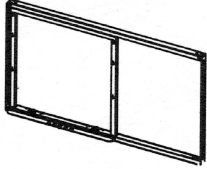
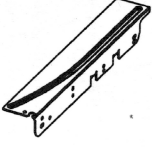
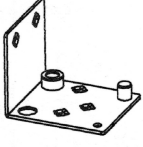



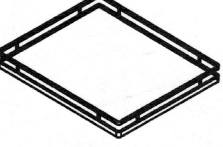
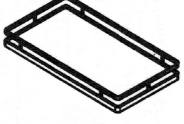







Optional basket

2pcs	2pcs
	
	
	
	

Item	
1	Install the A part of backside sliding frame
2	Install the B part of guide plate
3	Install the C part of corner fixing plate
4	Install the D part of swing drawbar
5	Install the F part of door connector
6	Inset the drawbar cover on the E part of swing frame into D part of swing drawbar
7	Inset the rotation shaft under the E part of swing frame into the hole on the C part of corner fixing plate
8	Inset the drawbar cover on the E part into the groove on the B part of guide plate
9	Install the cover of upside rotation shaft M, then rotate 90 degree to lock
10	Inset the drawbar D into the backside sliding frame A part
11	Inset the lower detent at the outside of door connector F part into the groove on the E part
12	Inset the upside detent at the outside of door connector F part into the groove on the E part
13	Inset the lower detent at the inside of door connector F part into the groove on the E part
14	Fine tune the position of the door by the adjustable screw on the E part
15	Adjust the screw J to control the open angle of E part

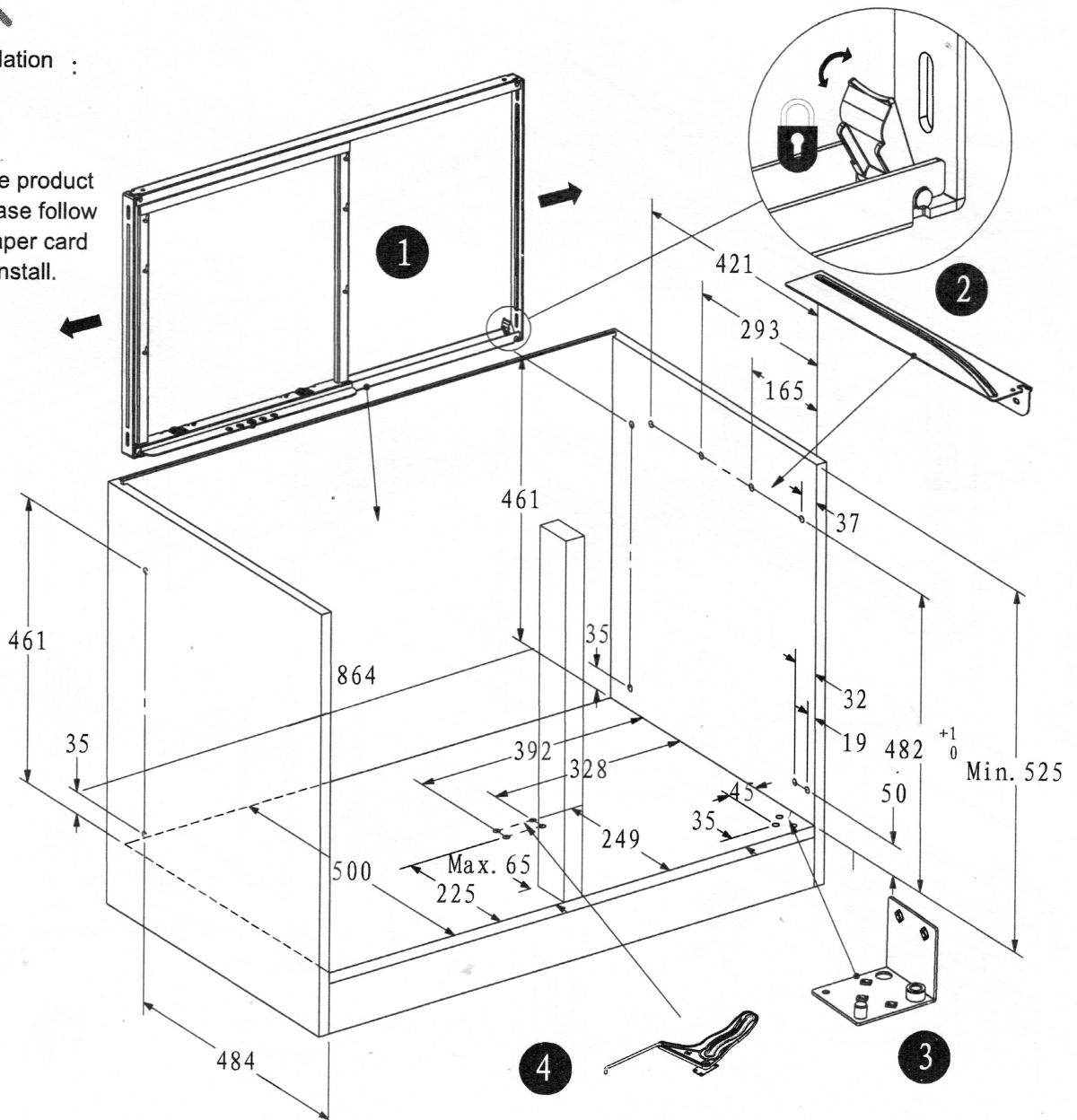
## 1、part list :

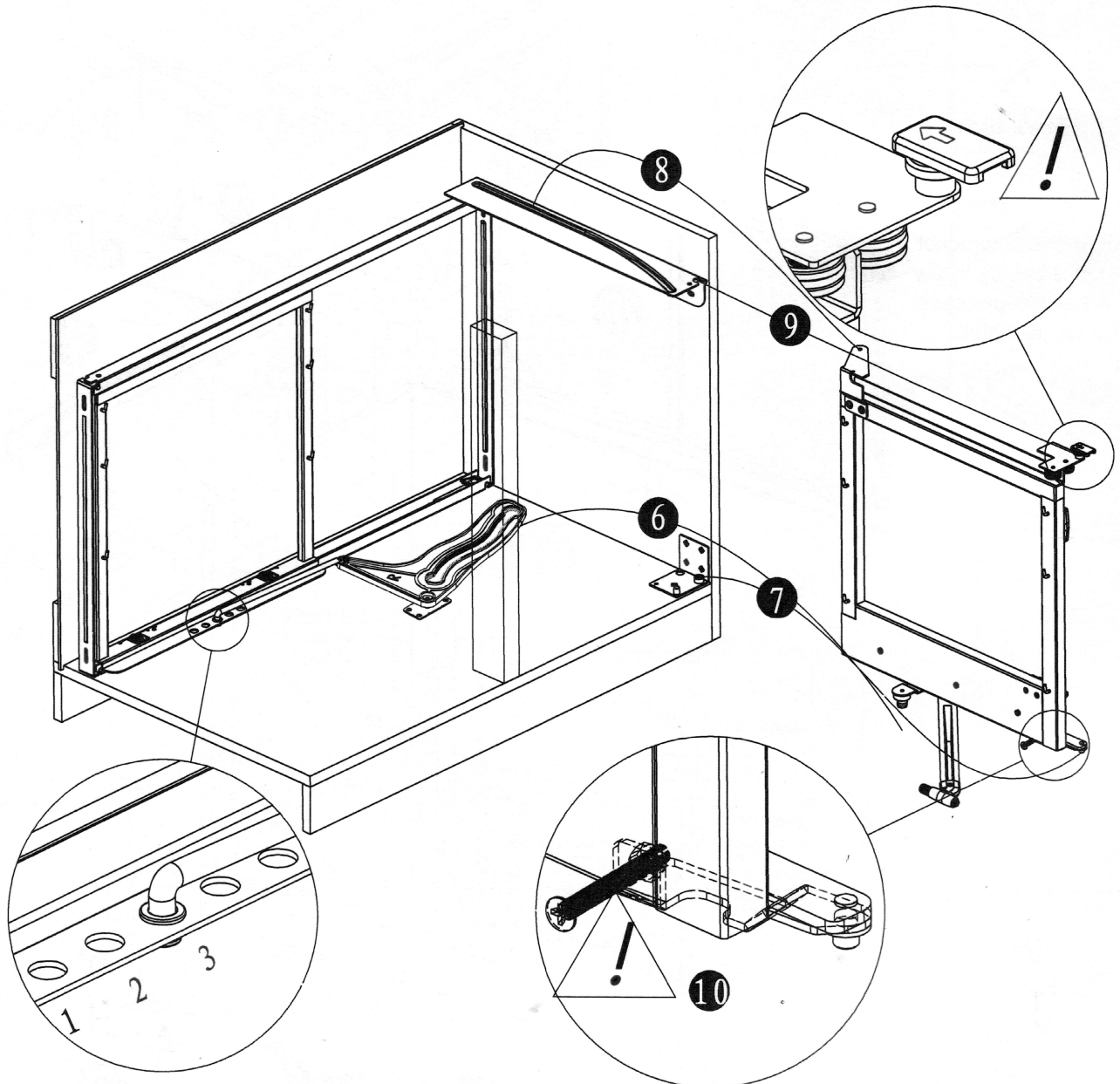
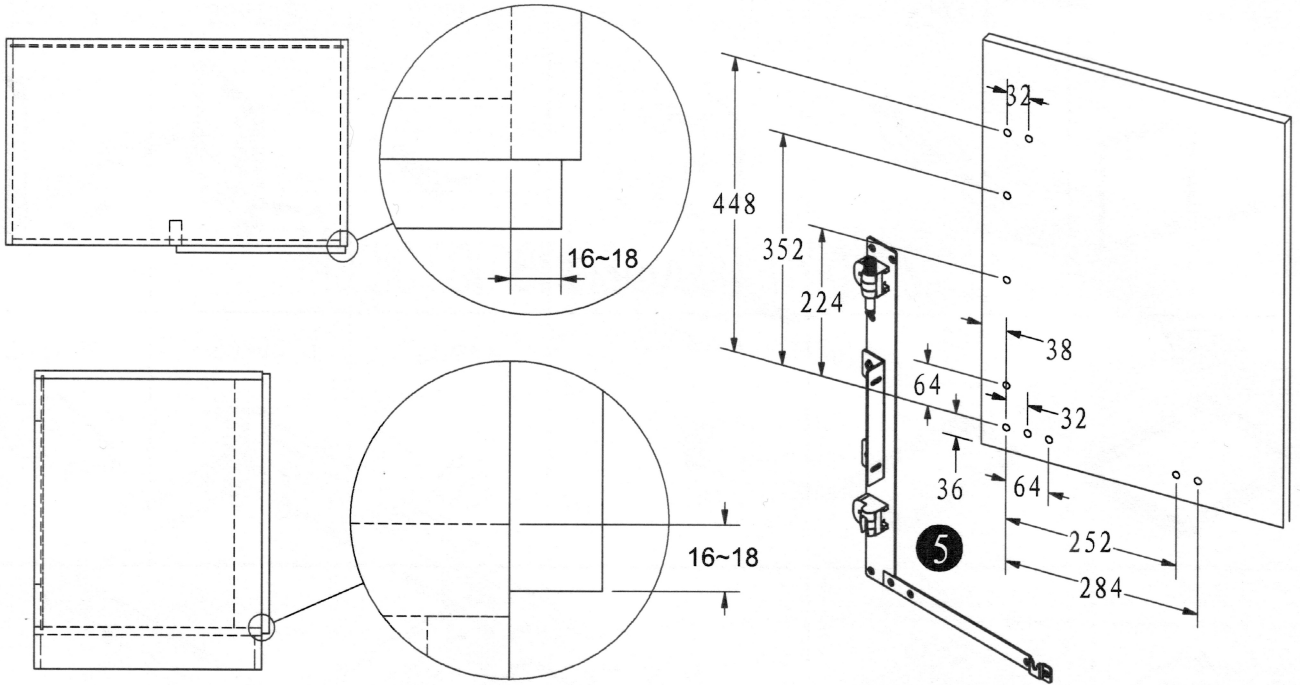
A 1PCS 	B 1PCS 	C 1PCS 	D 1PCS 	E 1PCS 	F 1PCS 
G 2PCS 	H 2PCS 	I 2PCS 	J 1PCS 	L 20PCS 	M 1PCS 
N、20PCS 					



## 2、parts installation :

In order to ensure product performance, please follow instructions or paper card carefully before install.



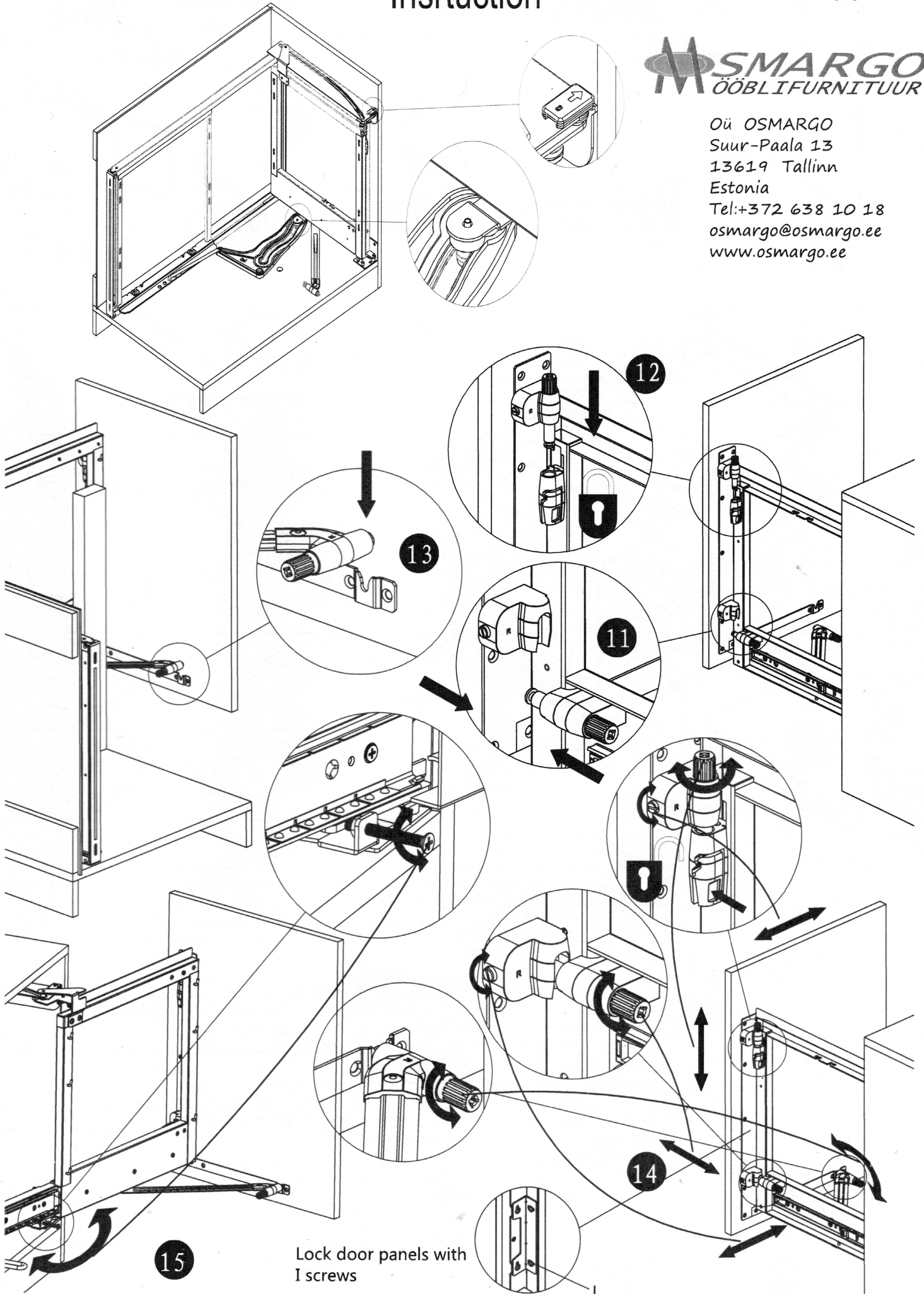


# Insrtuction

3-3

**OSMARGO**  
ÕBLIFURNITUUR

Oü OSMARGO  
Suur-Paala 13  
13619 Tallinn  
Estonia  
Tel:+372 638 10 18  
osmargo@osmargo.ee  
www.osmargo.ee



15

Lock door panels with I screws