

Product Name: Door Sensor Switch

Product description: This Door Sensor Switch is an exclusively design for Class III insulation appliance based on the application of IR sensor switch.

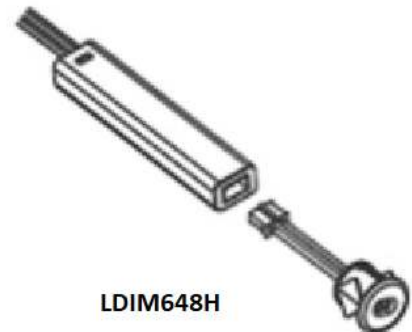
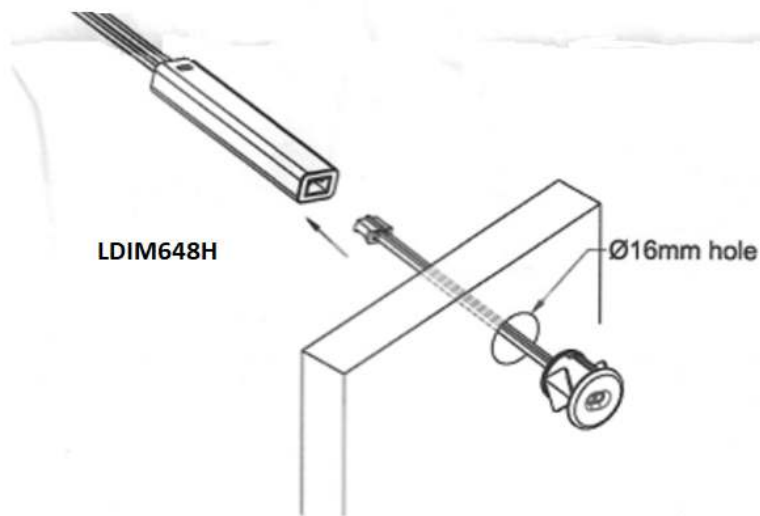
Function description: when the target object is in the detecting range, the lamp switches off, when there is no object in the detecting range, the lamp switches on.

Specifications:

input voltage	DC12V	DC24V
output voltage	DC12V	DC24V
output current	3A max.	3A max.
quiescent current	6mA	6mA
working temperature	-20~+45°C	-20~+45°C
detection range	4~20cm	4~20cm

Installation Instructions:

Sensor Touch dimmer



Liikumisandur pealepandav

