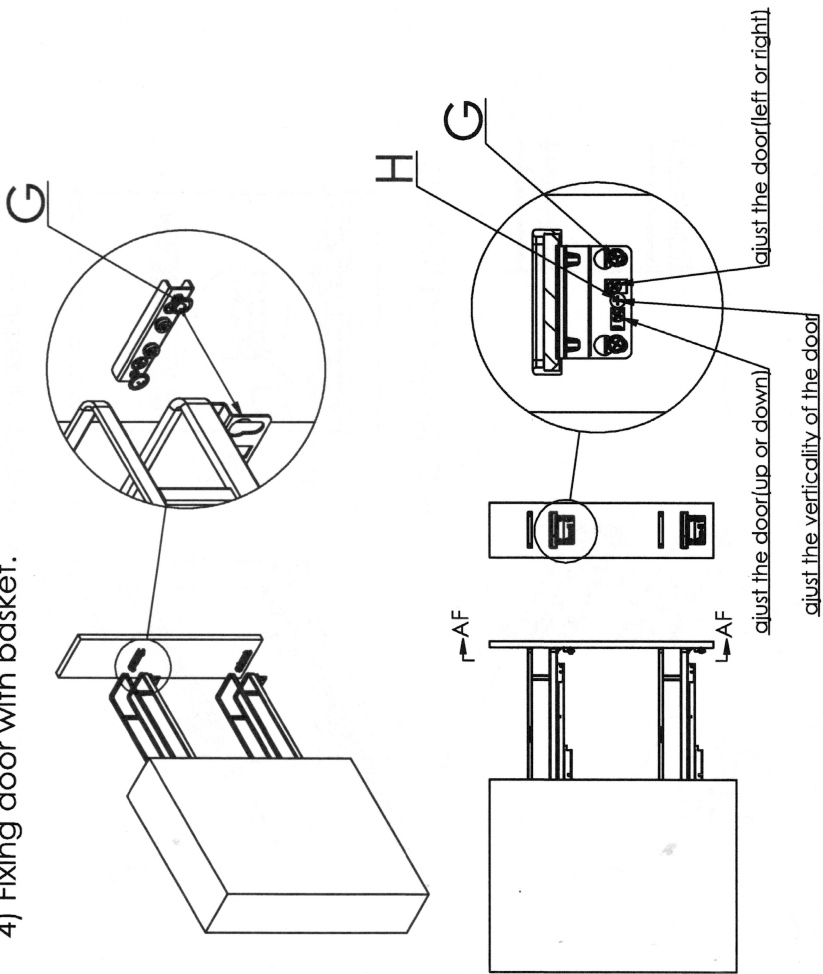
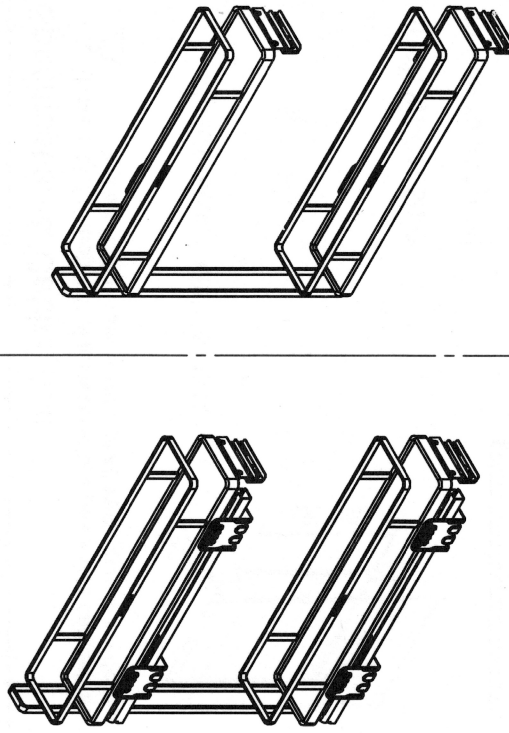


Fitting Instruction for 150 cabinet basket

4) Fixing door with basket.



5) Finish

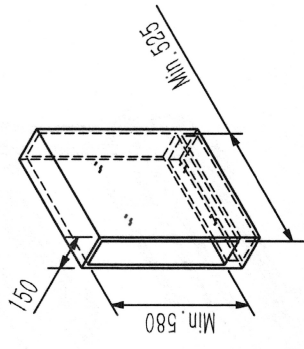


1. Accessories list

A 1PCS 	(left)	(right)	(left)	(right)	B 2PCS 	or		H 2PCS 	M5*8
C 2PCS 	D 12PCS 	E 4PCS 	F 4PCS 	G 4PCS 					
	ST4*16 	ST4*20 	M4*6 	M5*10 					

2. Specification & Cabint size

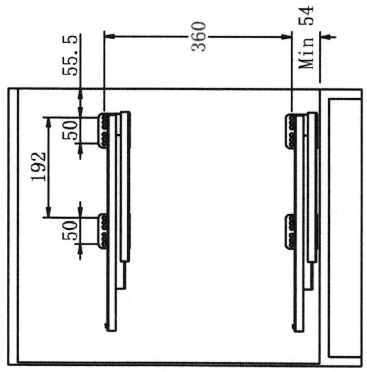
(Note : 1) It's need install basket before assemble cabinet, because the narrow width.
2) This instruction is for install right side, left side is symmetrical.)



Specification : 488*107*518

3. Installation size

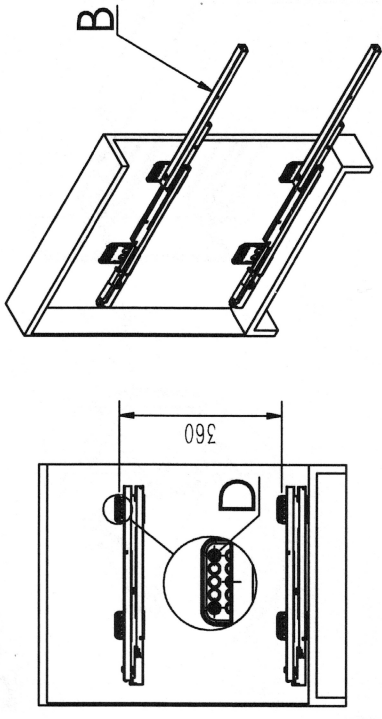
(measure unit:mm)



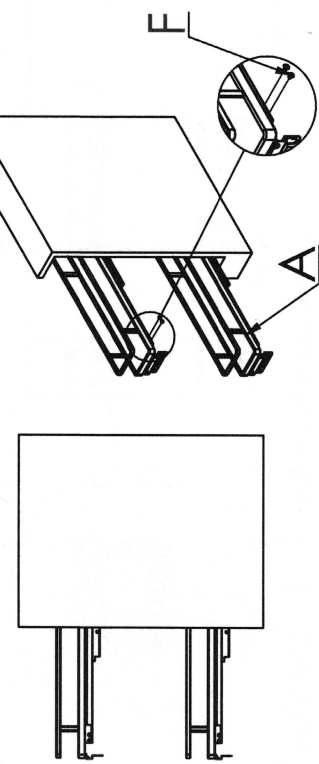
OÜ OSMARGO
Suur-Paala 13
13619 Tallinn
Estonia
Tel: +372 638 10 18
osmargo@osmargo.ee
www.osmargo.ee

4. Fixing step

1) Fixing slider in cabinet with screws "D".



2) Fixing basket with slider.



3) Install the fastener of the door

