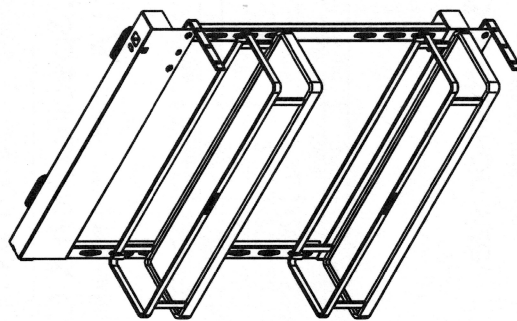
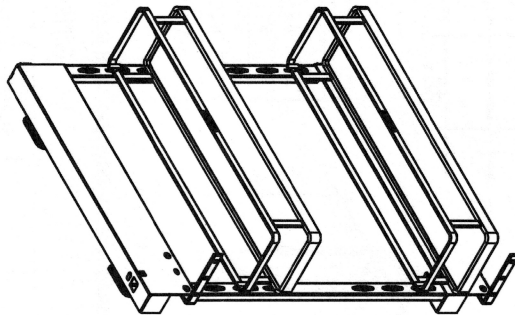


Fixing Instruction for 200/250/300 cabinet basket



Oü OSMARGO
Suur-Paala 13
13619 Tallinn
Estonia
Tel: +372 638 10 18
osmargo@osmargo.ee
www.osmargo.ee

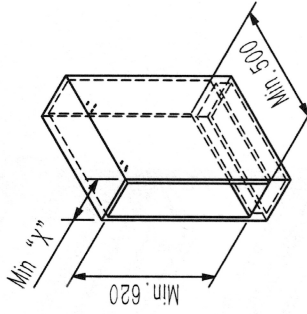
1. Accessories list

A 1PCS		B 2PCS		C 2PCS	
(left)	(right)	(left)	(right)	(Basket for 200 cabinet)	(Basket for 300 cabinet)
D 12PCS	F 2PCS	G 4PCS	H 2PCS	I 2PCS	J 4PCS
ST4*16	M5*14	M5*15	M4*8	K 2PCS	

2. Specification & Cabint size

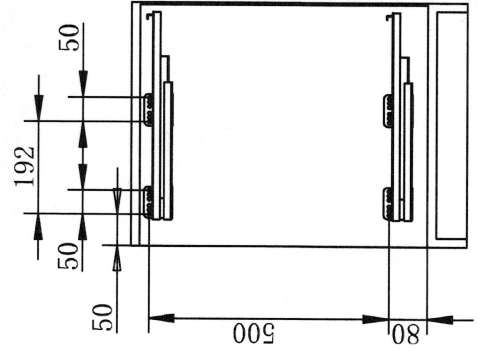
⚠ (Note : This instruction is for install right side, left side is symmetrical.)

Note	Cabinet	Specification	Size "X"
Left	200	470*155*585	164
Right	200	470*155*585	164
Left	250	470*205*585	214
Right	250	470*205*585	214
Left	300	470*255*585	264
Right	300	470*255*585	264



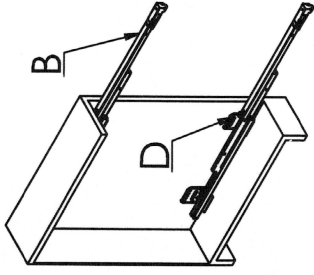
3. Installation size

(Measure unit : mm)

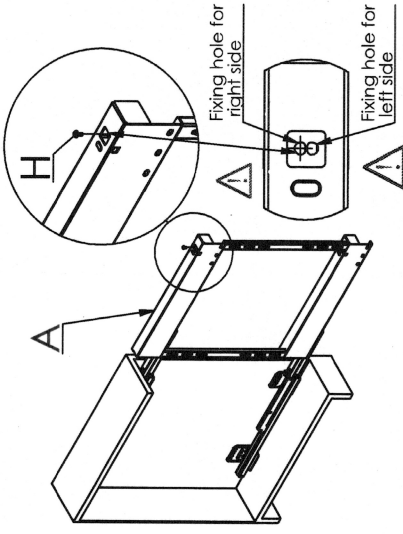


4. Fixing step

1) Fixing slider in cabinet with screws "D".

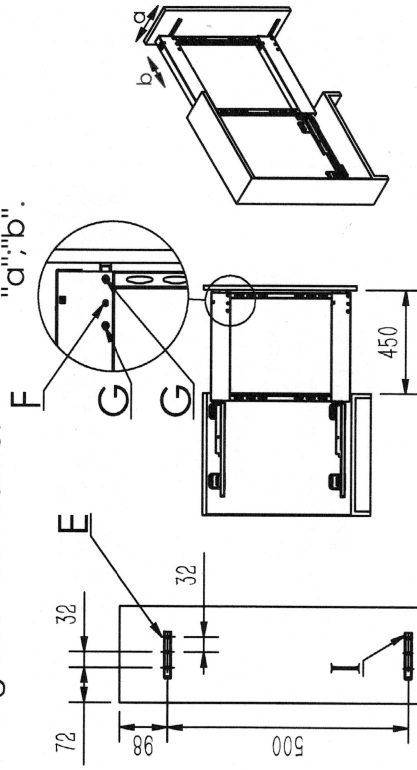


2) Fixing frame "A" with slider.



3) Fixing door with frame.

⚠ notes: turn screws G and F, adjust the door direction "a", "b".



4) Hang up basket.

