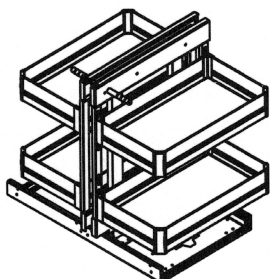


Instruction

Note:

1. Please read this instruction carefully before install.
2. For 800 to 900mm cabinet size.
3. Flat cabinet hinge is requested.
4. For both left and right open.

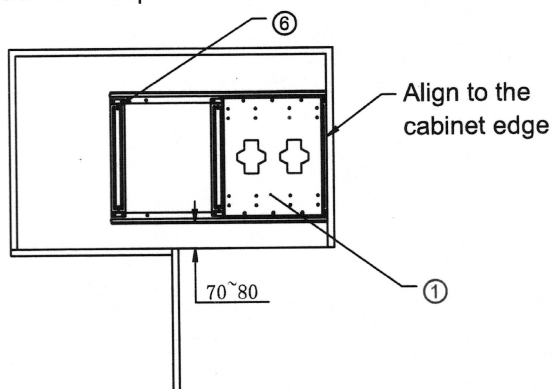


Accessories

① Frame 1		② Frame 2		③ Basket (different types are optional)	
1pcs		1pcs		4pcs	
④ Handle	⑤ M5*22	⑥ ST4*14	⑦ M6*10		
2pcs	2pcs	6pcs	8pcs		

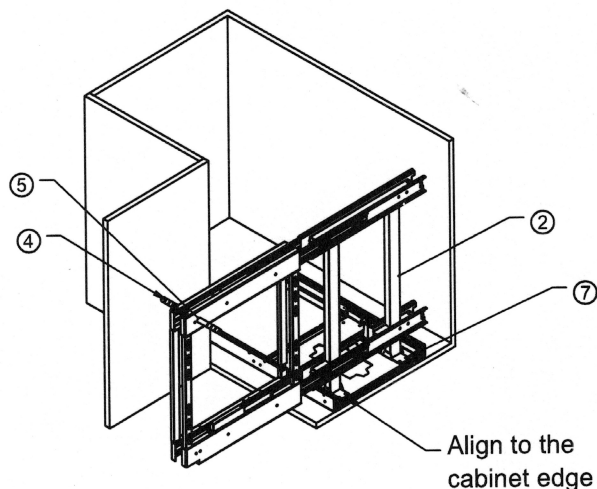
Step 1:

1. Fix frame ① with screw ⑥ as sizes showed in following picture.
2. This instruction is right open cabinet; turn frame ① opposite for left open cabinet.



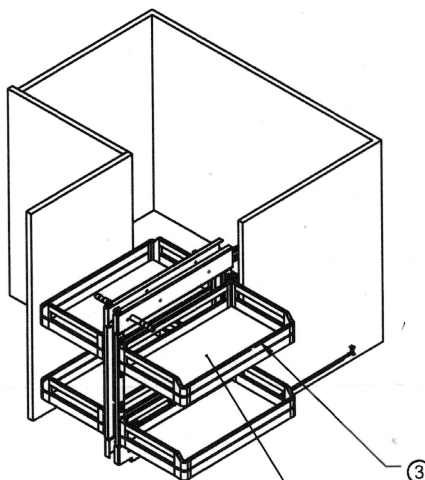
Step 2:

1. Fix frame 2 with screw ⑦ in to frame 1
2. Draw out frame 2, and lock the handles ④ with screws ⑤.



Step 3:

Install the baskets.



— Loading capacity of each basket is 5KG.



Oü OSMARGO
 Suur-Paala 13
 13619 Tallinn
 Estonia
 Tel:+372 638 10 18
 osmargo@osmargo.ee
 www.osmargo.ee