

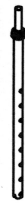

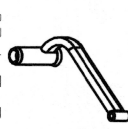



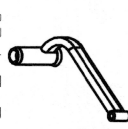
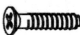
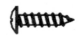



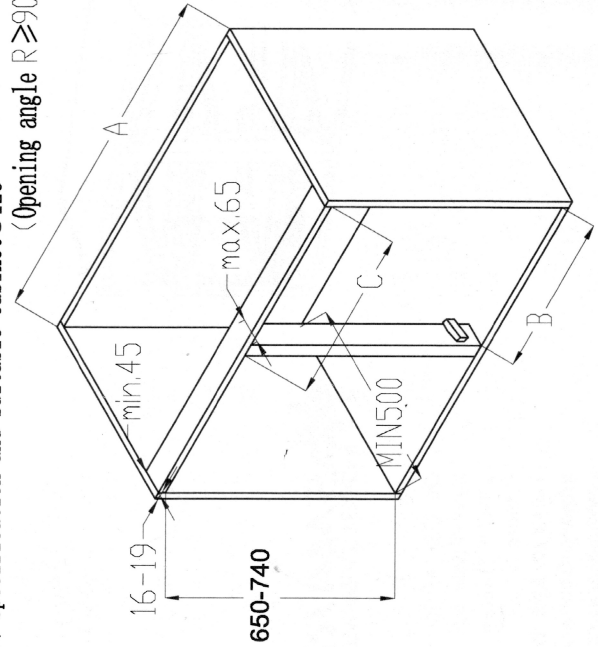
# CM90L60R Instruction Menu



## 1. Parts list:

- A 1 Pcs  B 1 Pcs  C 1 Pcs  D 2 Pcs 
- E 2 Pcs  F 1 Pcs  G 2 Pcs  K 2 Pcs 
- H 2 Pcs  I 6 Pcs  J 10 Pcs  L 2 Pcs 

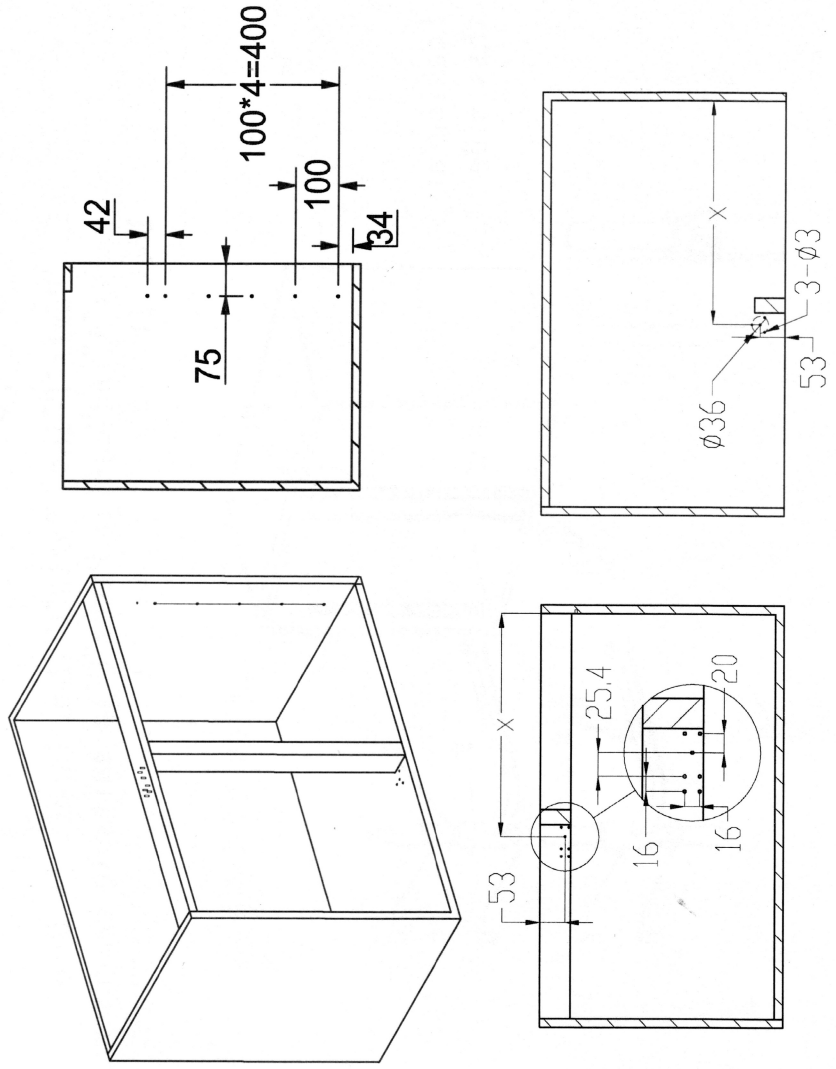
## 2. Specification and suitable cabinet size (Opening angle $R \geq 90^\circ$ )



Door W	Size	A	B	C	X
450		900	411-418	max450	476
500		1000	461-468	max500	526
600		1200	561-568	max600	626

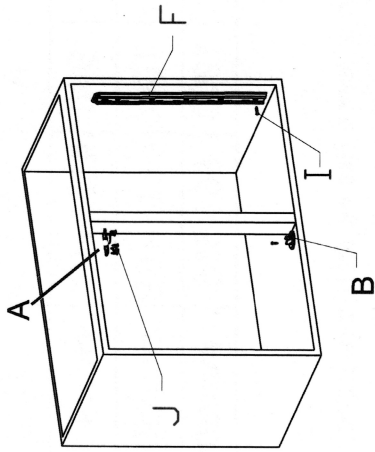
## 3. Installation setps:

0. According to instruction to draw a line and drill mounting holes

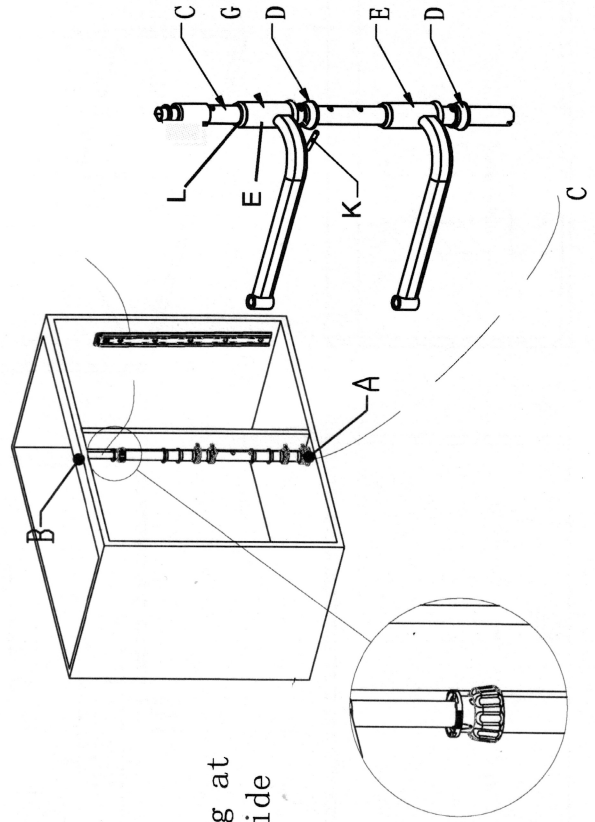


**CM90L60R Instruction Menu**

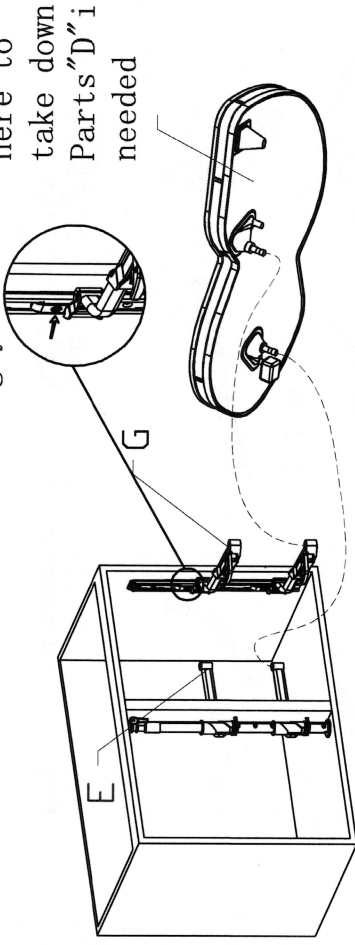
b `Fixing Parts "F" with Screw "I": Fixing Parts "A" to cabinet bottom, while "B" to the top, with Screw: "J"



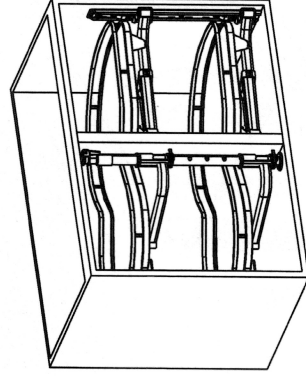
c `Parts "D" into Parts "C" then insert it into Parts "A". Adjusting Parts "C" to suitable height and lock it



d `After Parts "G" mounted into Parts "F", Parts "E" into Parts "C" then mount Parts "H" to "G" and "E" accordingly here to



e `Installation completed °



Oü OSMARGO  
 Suur-Paala 13  
 13619 Tallinn  
 Estonia  
 Tel:+372 638 10 18  
 osmargo@osmargo.ee  
 www.osmargo.ee