

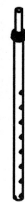







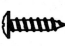



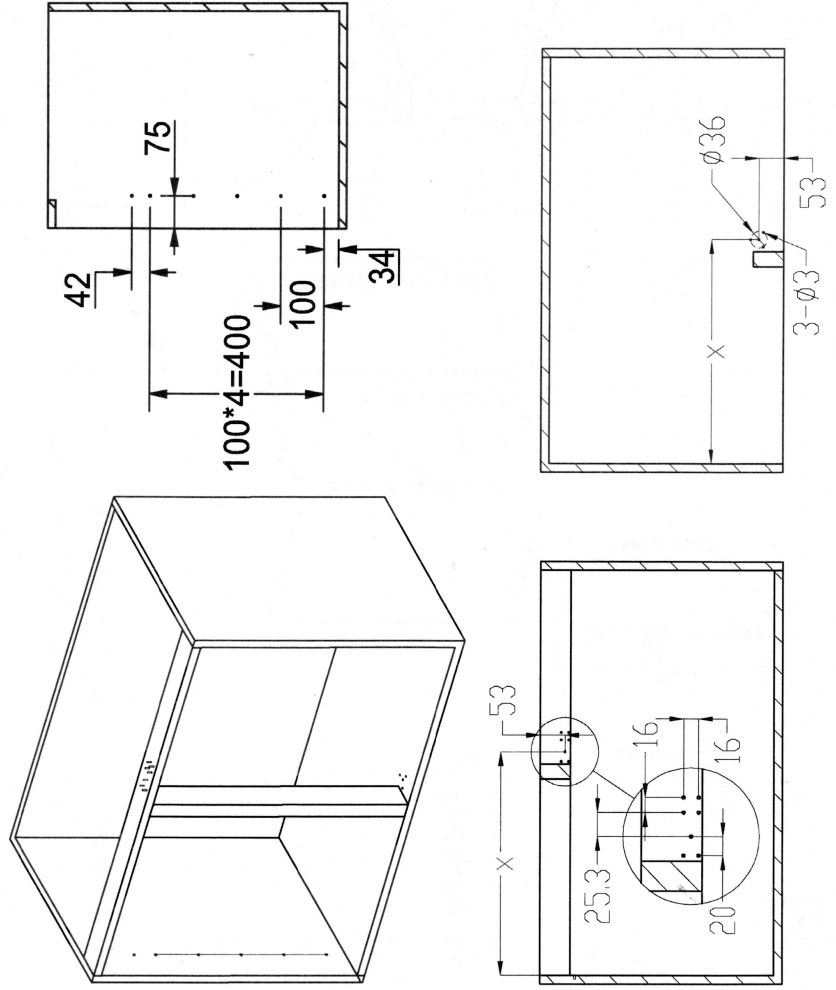
1. Parts list:

- A 1 Pcs  B 1 Pcs  C 1 Pcs  D 2 Pcs 
- E 2 Pcs  F 1 Pcs  G 2 Pcs  K 2 Pcs 
- H 2 Pcs  I 6 Pcs  J 10 Pcs  L 2 Pcs 

| Size          | A    | B       | C      | X   |
|---------------|------|---------|--------|-----|
| Door W<br>450 | 900  | 411-418 | max450 | 476 |
| 500           | 1000 | 461-468 | max500 | 526 |
| 600           | 1200 | 561-568 | max600 | 626 |

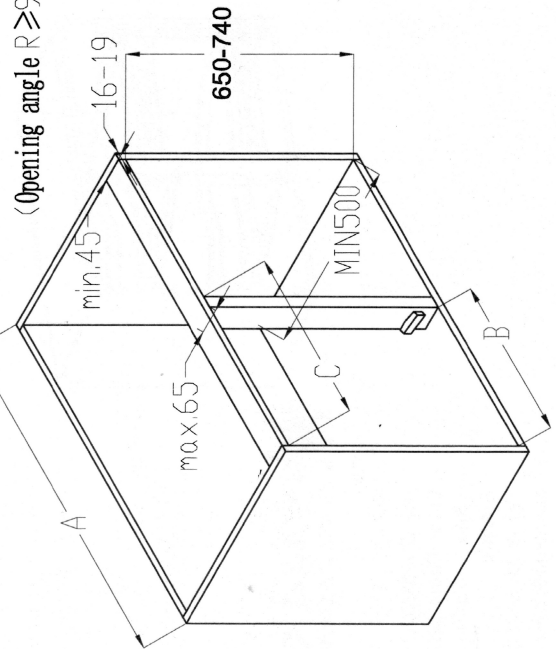
3. Installation steps:

a. According to instruction to draw a line and drill mounting holes



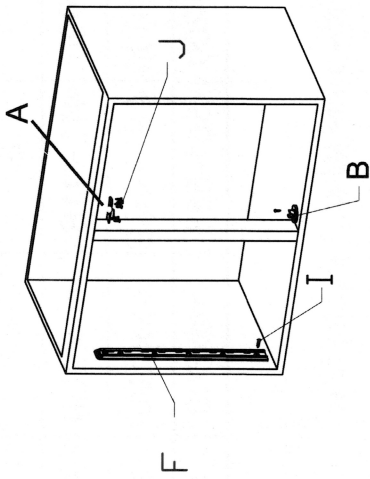
2. Specification and suitable cabinet size

(Opening angle  $R \geq 90^\circ$ )

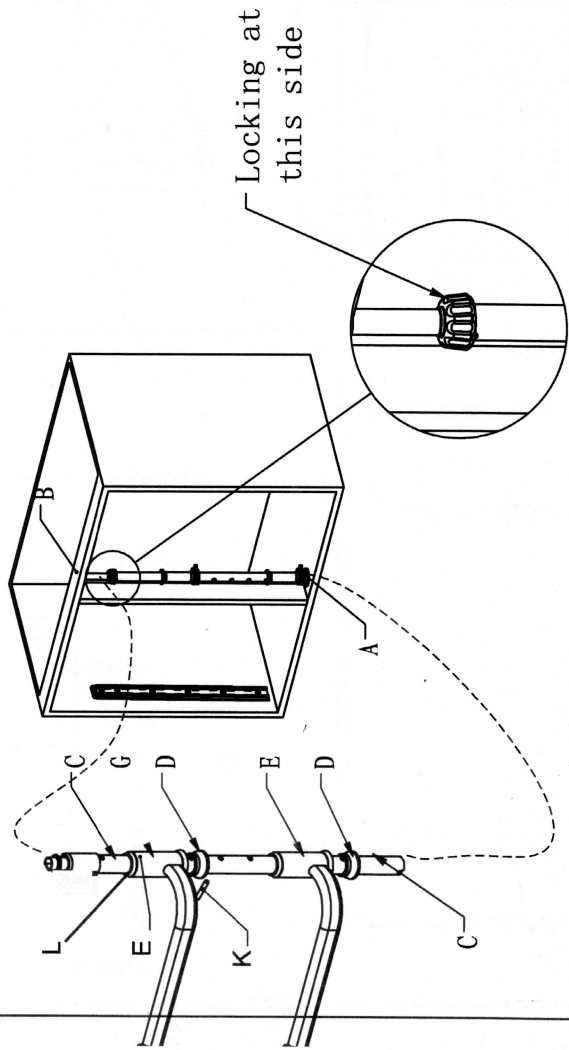


## CM90L60L Instruction Menu

b `Fixing Parts "F" with Screw "I": Fixing Parts "A" to cabinet bottom, while "B" to the top, with Sewer: J

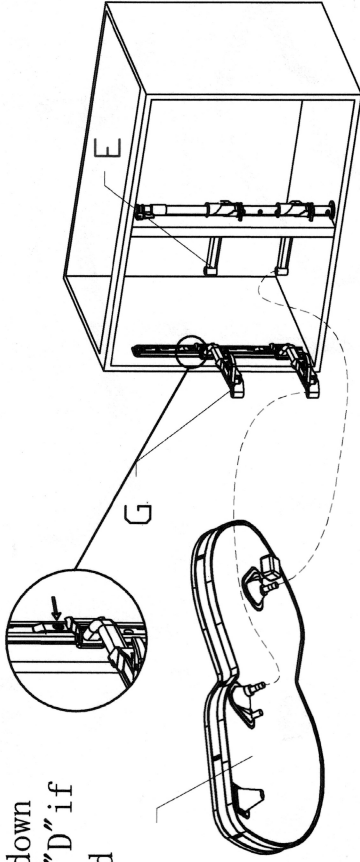


c `Parts "D" into Parts "C" then insert it into Parts "A". Adjusting Parts "C" to suitable height and lock it

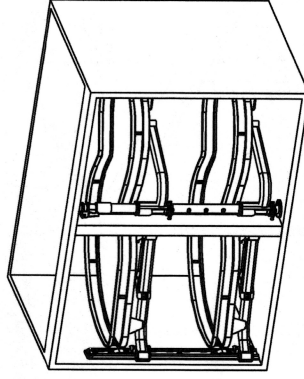


d `After Parts "G" mounted into Parts "F", Parts "E" into Parts "C" then mount Parts "H" to "G" and "E" accordingly

G--Press here to take down Parts "D" if needed



e `Installation completed`



**OSMARGO**  
ÕÕBLIFURNITUUR

Oü OSMARGO  
Suur-Paala 13  
13619 Tallinn  
Estonia  
Tel: +372 638 10 18  
osmargo@osmargo.ee  
www.osmargo.ee