

Product Name: Movement Sensor Switch

Product description: This Movement Sensor Switch is an exclusively design for Class III insulation appliance.

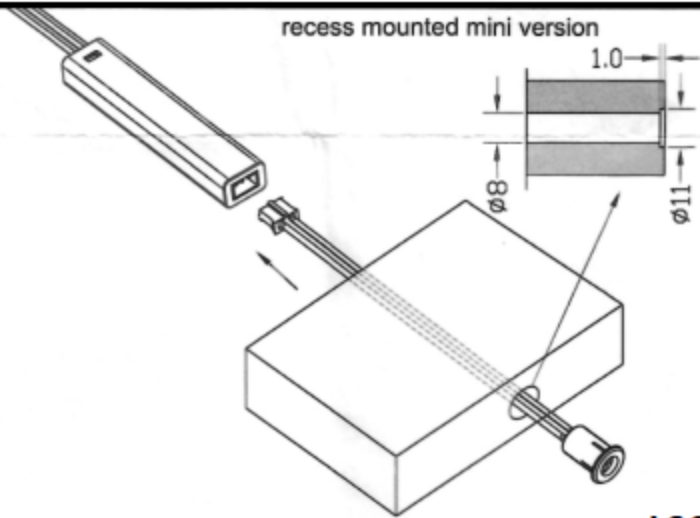
Function description: when the target object is in the detecting range one time, the lamp switches on (off), when the target objects is in the detecting range second time, the lamp will be switch off(on).

Specifications:

input voltage	DC12V	DC24V
output voltage	DC12V	DC24V
output current	3A max.	3A max.
quiescent current	6mA	6mA
working temperature	-20~+45°C	-20~+45°C
detection range	5~20cm	5~20cm

Installation Instructions:

recess mounted mini version



LS618PUR



LS618PUR