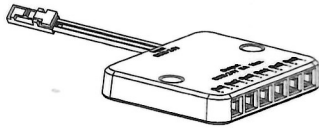


Product & Accessory



1* wireless receiver



1* wireless emitter of touch switch & dimmer

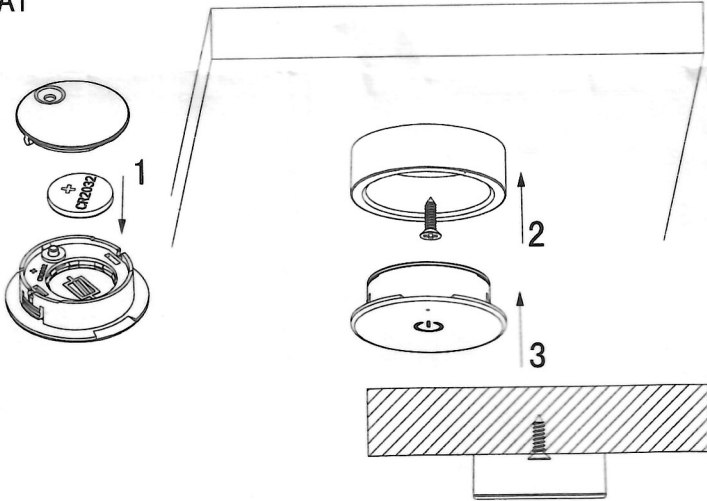


1* CR2032 cell battery



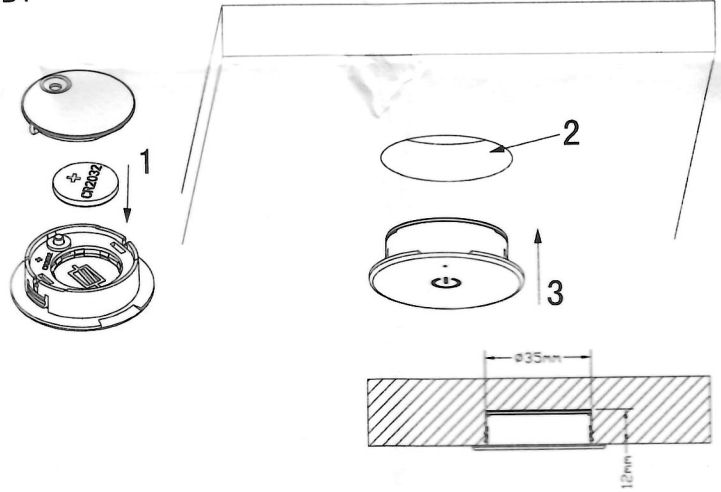
1* screw

A1

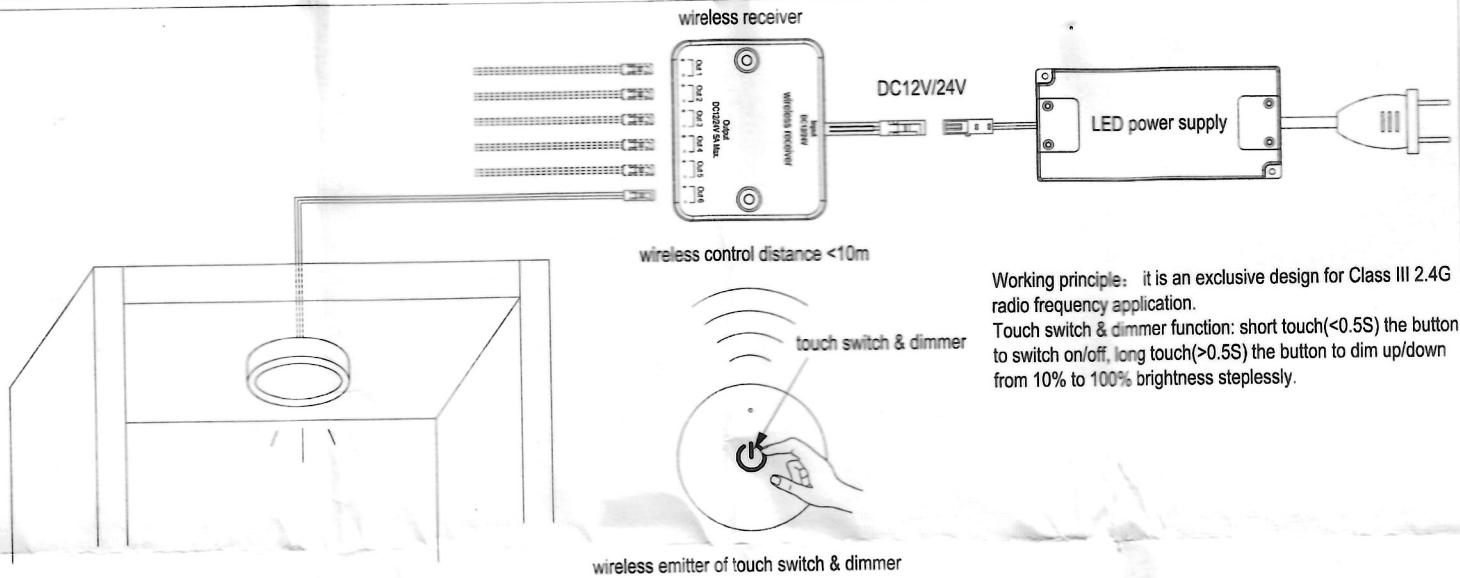


1. Put the cell battery into wireless emitter
2. Install surface bracket onto board with screw
3. Clip the wireless emitter into surface bracket
4. The receiver should be installed within remote control distance <10m.

B1

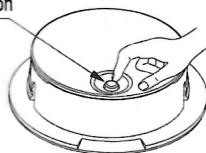


1. Put the cell battery into wireless emitter
2. Make hole for the wireless emitter
3. Clip the wireless emitter into hole
4. The receiver should be installed within remote control distance <10m.



Pairing/Unpairing

pairing/unpairing button



1. Pairing: Press the pairing button on the emitter within 3seconds after receiver connected to the power supply, it's successfully paired when the output light flash .
2. Unpairing: Long press (over 3S) the pairing button on the emitter within 3seconds after receiver connected to the power supply, it's successfully unpaired when the output light flash .
3. One receiver can be paired with multiple emitters, one emitter can be paired with max. eight receivers. (one receiver and one emitter already paired in production, pls do the multiple pairing and unpairing by yourself.)

Battery change



Indicating light quickly flashes when battery is low

1. Take out the battery box
2. Change a new CR2032 cell battery