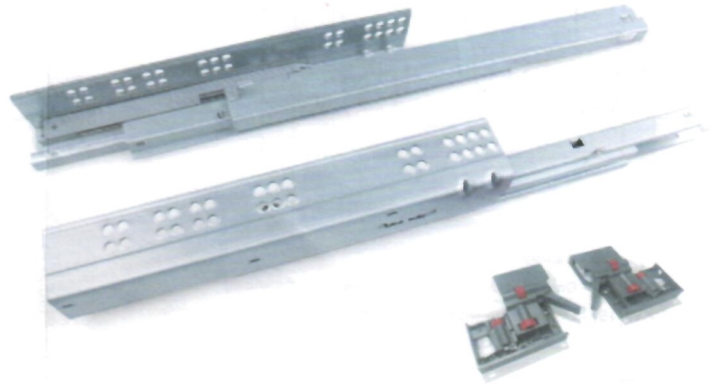


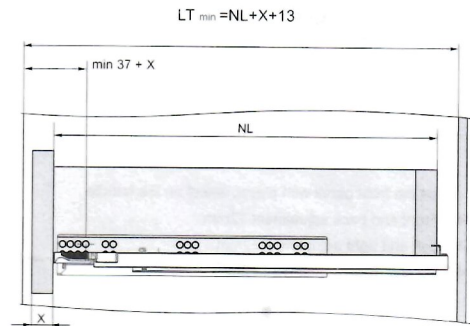
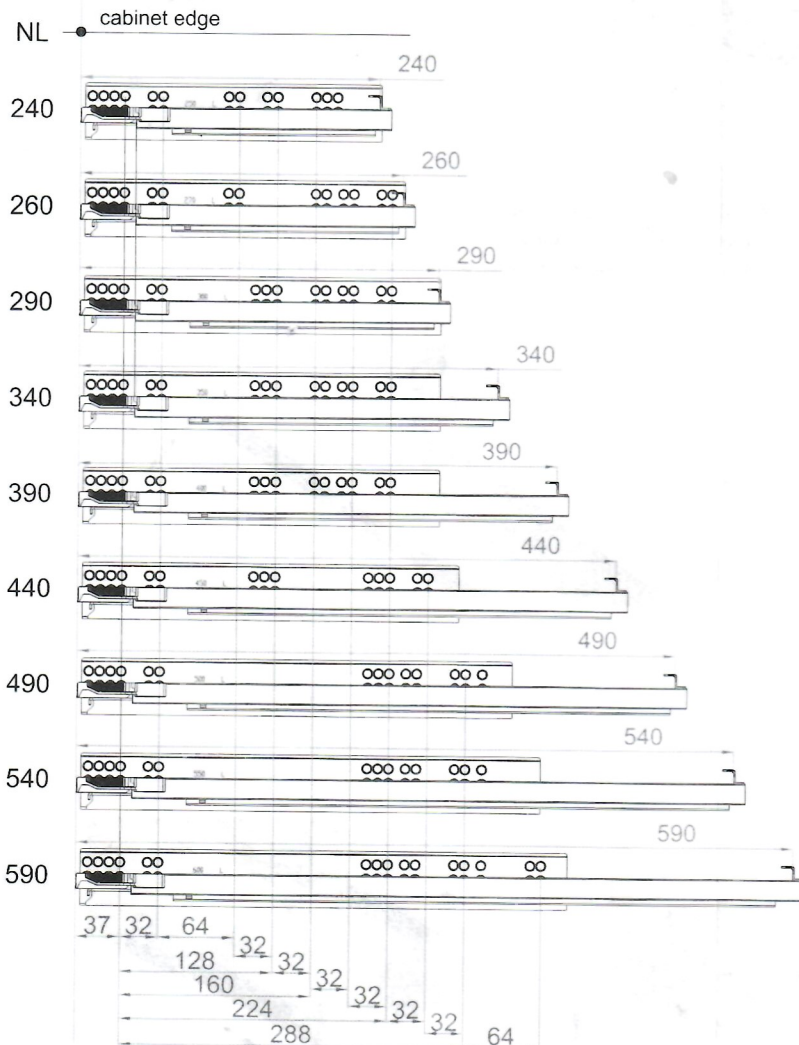
3-Fold **soft-closing** concealed drawer slide(with handle)

Technical specifications:

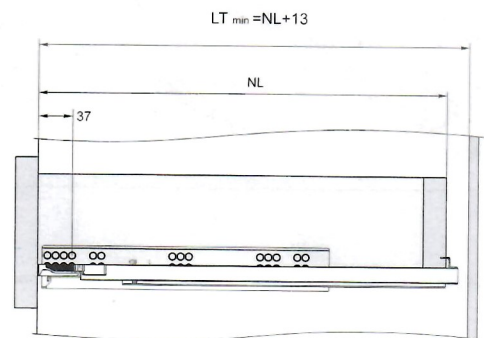
- Main material: zinc plated board.
- Max loading capacity: 30kg.
- Life guarantee: 50,000 cycles.
- Thickness of board: ≤16mm
- Adjustable opening and closing strength: +25%
- Full extension, slide-click front fixing device, easy height adjustment.
- Outstanding sliding stability.
- Easy and safe mounting and dismounting for drawers.
- Synchronized concealed slide need to be requested separately.
- Opening and closing strength can be adjusted with eccentric screw on the damper.
- bear the synchronized system function.



Installation dimensions



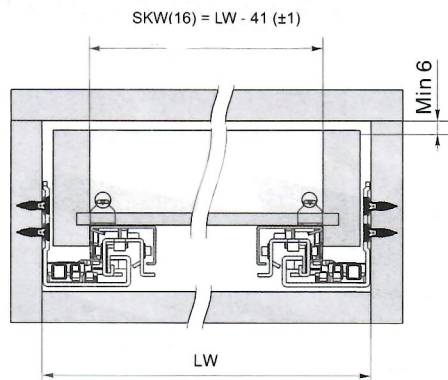
Built-in drawer



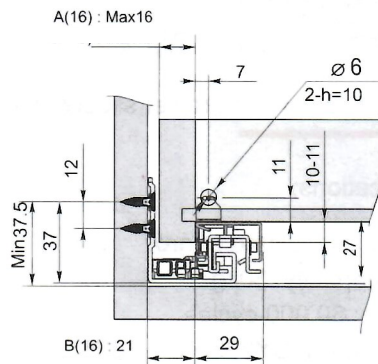
Standard drawer

LT - Cabinet inner depth
NL - nominal slide length

3-Fold **soft-closing** concealed drawer slide(with handle)



LW - Cabinet inner width
 SKW(16) - Drawer inner width(≤16mm drawer side thickness)

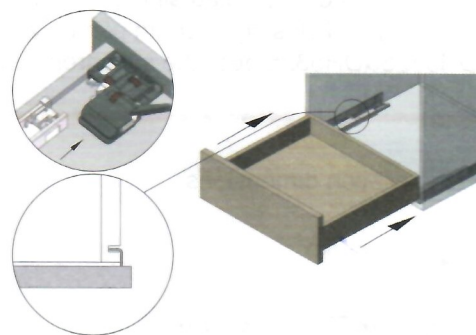
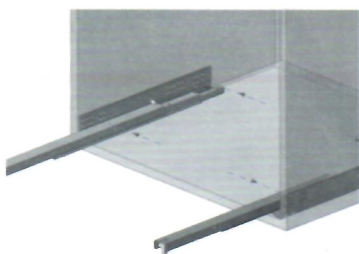


A(16) Be used for slide rails with a drawer side thickness no greater than 16mm.
 B(16)

1. Install the slides on the cabinet

2. Install left/ right handle in the front of the drawer

3. Install the drawer on the slides, slide hooks insert into the pre-drilled holes on the drawer back panel

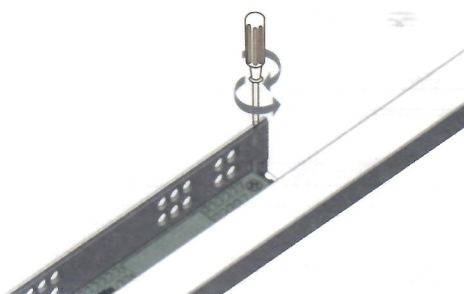
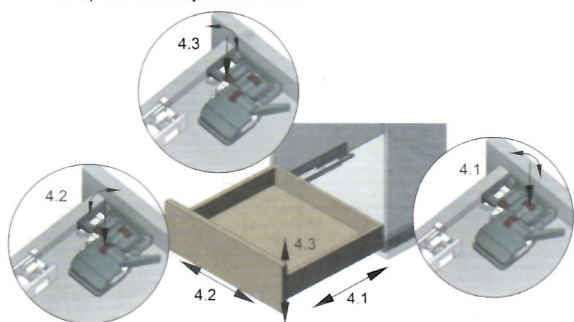


4. Adjust the front panel with plastic wheel on the handle

- 4.1 Front and back adjustment ±2mm.
- 4.2 Left and right adjustment ±2mm.
- 4.3 Up and down adjustment +3mm.

5. Adjustable opening and closing mechanism:

When the drawer takes more than 20kg, adjust the eccentric screw on the damper, max 25% more strength will be applied, so that make the movement smooth.



6. Push the handle lever to unlock the drawer, then pull out the drawer

